

11



Sadiq Khan
@SadiqKhan

Following

I'm urging #Fabric, the Met & Islington to find an approach that protects clubbers' safety & the future of the club.

Celebrity DJ Artwork @artworkmagnetic
 Dearest @SadiqKhan I voted for you for your views on London club life. Now please do something about @fabriclondon

Lots of love

RETWEETS

1,404

LIKES

2,123

6:36 PM - 16 Aug 2016

1.4K

2.1K

Reply to @SadiqKhan

Crissy Criss @CrissyCriss Aug 17
 @SadiqKhan @artworkmagnetic @fabriclondon Salut!

© 2016 Twitter About Help Terms Privacy Cookies Ads Info

Hi there! We use cookies to operate Change.org and give you relevant content. [Learn more.](#)

Ok, got it

Skip to main content

-
-
- [Start a petition](#)
- [Browse](#)
- [Search](#)

Log in

- [My petitions](#)
- [Settings](#)
- [Log out](#)
- [Start a petition](#)
- [Search](#)
-

[Log in or sign up](#)

□

Log in

Don't have an account? [Sign up](#)

Log in with Facebook

or

Email

Password

[Forgot password?](#)

Log in

By joining, or logging in via Facebook, you accept Change.org's [terms of service](#) and [privacy policy](#).

[Save London's nightlife. Stop the closure of fabric.](#)
by [jacob husley](#) · 93,850 supporters

Decision Maker Response

Sadiq Khan's response



[Sadiq Khan](#)
Mayor of London

Follow



[Sadiq Khan](#)
Mayor of London

Follow

29 Aug 2016 — Dear Jacob,

Thank you for writing to me about the future of Fabric and London's night time economy.

London's iconic clubs are an essential part of our cultural landscape. As Mayor, I'm determined to do more to protect them, as well as our theatres, live music venues, artists workspaces, historic buildings and pubs. It is so important that people are able to enjoy a fun and safe night out in the capital.

As part of our wider plan to support the night time economy, I will appoint a Night Czar to lead this work by bringing together key stakeholders including club and venue owners, planning and licensing authorities, the Metropolitan Police and members of the public. No single organisation or public body can solve these problems alone – we all need to work together to ensure London thrives as a 24-hour city, in a way that is safe and enjoyable for everyone.

Save London's nightlife. Stop the closure of fabric.

Sign this petition

93,850 supporters
56,150 needed to reach 150,000

First name

Last name

Email

United Kingdom

Street address

Your city

Postal code

I'm signing because... (optional)

Share with Facebook friends

Sign

Display my name and comment on this petition

By signing, you accept Change.org's [Terms of Service](#) and [Privacy Policy](#), and agree to receive occasional emails about campaigns on Change.org. You can unsubscribe at any time.

I am committed to using the influence of my office to overcome the numerous challenges facing the night time economy. However, it is important to note that City Hall does not have the power to intervene in licensing cases like the current situation with Fabric.

Clubbing needs to be safe. There have been two tragic deaths at Fabric over recent months and there are clearly issues that need addressing.

http://www.islingtongazette.co.uk/news/fabric_drug_deaths_damning_dossier_reveals_scale_of_substance_abuse_inside_farringdon_superclub_1_4674138

Fabric, the Metropolitan Police and Islington will of course have to take real action to protect the safety of everyone who enjoys a night out at the club.

My team have spoken to all involved in the current situation and I am urging them to find a common sense solution that ensures the club remains open while protecting the safety of those who want to enjoy London's clubbing scene.

I welcome your call for us all to work together – City Hall, London's music venues, local authorities, the police and others – to make our clubs safer while also protecting our night time economy.

Best wishes,

Sadiq Khan
Mayor of London

- [Share](#)
- [Tweet](#)
- [Email](#)

[Login to Add a Comment](#)

Discussion

- [Most Popular](#)
- [Latest](#)
- [stuart mantle](#) SURREY, UK, UNITED KINGDOM
 - about 21 hours ago
 - Liked 23

Time to stop this murder by government & its pathetically out dated draconian drugs policy which only ensures something that could be incredibly safe instead, is made as dangerous as it possibly can be... The clubs should not be held responsible for the choices of individuals made lethal by the policy of governments... Time to grow up, control, make safe & educate. Prohibition where there's legitimate demand is murder by state.

REPORT THIS COMMENT:

This comment is inappropriate

[Report](#) [Cancel](#)

- [Claire Francis](#) LEATHERHEAD, UNITED KINGDOM
 - about 20 hours ago
 - Liked 10

I think Fabric do everything in their power to keep it a safe place over the 20 odd years it been open. Unless you strip search every person which is highly unreasonable you will never resolve the matter. People freedom of choice to take stuff will happen take stuff on the tubes buses, shop doors, public places before even entering clubs.

Please allow me to explain. How will closing Fabric possibly make the streets of London Safe. Knife crime is on the up and guns shots and if you think by closing Fabric this will make people safe. I think you could possibly be wrong. Where will 3000 people on the weekend go ? I ask you this question and I await your reply..... Clubs will go underground, you will have illegal raves popping up everywhere, security will not be licensed and drugs will go underground, street crime will go up, At least I know that if my children do want to go clubbing, as we have all been young once !! they can go to Fabric and be safe. My mother died just 5 years ago from alcohol so readily available 24hrs a day yet who do I blame. The shop for selling it to her, the government for allowing it to be so readily available, or the addict that couldn't stop drinking ? We have already seen 5 lives lost in the South Coast this week, with no life guards ! 1 person dies at Leeds Festival and 4 stabbings at the Nottingham Carnival. If the Met Police think closing this club is going to save them a job then think again. Alcohol was banned back some years ago and it went underground. This is a serious danger to the community and our nightlife and culture.

On a positive note lets see what Fabric does for the community

Its brings in tourism - people come on city breaks, Taxi's have jobs, Hotels stay open, Shops sell sweets, Culture (LONDON), Night Tube, Buses, Restaurants, Oyster the list goes on...

What I would like to see is you make the streets a safer place. How many homeless people die on your streets everyday, how many gun shots are fired everyday, how many people are stabbed everyday, What is your street crime statistics ? and how many streets get closed down ???

Islington Council and Met Police I await your reply.

Kind regards Claire Francis

REPORT THIS COMMENT:

This comment is inappropriate

[Report](#) [Cancel](#)

- [Vince Perrin](#) LONDON, UNITED KINGDOM
 - about 14 hours ago
 - Liked 3

Fabric's closure makes no sense at all. If we follow the same logic we should change government or call for a general election every time MP's or

may stock take

Night	Revenue	People	SPH
FRI	329,114.79	20,508	£ 16.05
SAT	324,395.39	17,747	£ 18.28
SUN	134,129.96	7,777	£ 17.25
Midweek	44,478.29	2,890	£ 15.39

July stock take

Night	Revenue	People	SPH
FRI	254,899.15	16,963	£ 15.03
SAT	281,937.89	17,156	£ 16.43
SUN	116,898.61	7,035	£ 16.62
Midweek	7,744.62	150	£ 51.63

September stock take

Night	Revenue	People	SPH
FRI	284,052.08	18,440	£ 15.40
SAT	382,630.27	21,809	£ 17.54
SUN	114,610.45	6,577	£ 17.43
Midweek	29,566.84	3,877	£ 7.63

current period to date

Night	Revenue	People	SPH
FRI	66,899.95	4,228	£ 15.82
SAT	96,921.34	5,367	£ 18.06
SUN	18,963.13	1,064	£ 17.82
Midweek	22,629.80	2,593	£ 8.73

Night	Revenue	People	SPH	Av drinks per person
FRI	934,965.97	60,139	£ 15.55	2.98
SAT	1,085,884.89	62,079	£ 17.49	3.35
SUN	384,602.15	22,453	£ 17.13	3.28
Midweek	104,419.55	9,510	£ 10.98	2.10

BEER

BEER

BECKS	1	1	£1.00	£1.00
COORS	28	810	£4,050.00	£5.00
FOSTERS	9	48475	£217,794.00	£4.49
HEINEKEN BTL	7	3328	£18,297.00	£5.50
HEINEKEN CANS	3	1623	£8,115.00	£5.00
KRONENBOURG	6	44000	£220,000.00	£5.00
TIGER	12	9697	£53,331.50	£5.50
Total:		107934	£521,588.50	£4.83

CIDER

STRONGBOW	10	4778	£21,501.00	£4.50
Total:		4778	£21,501.00	£4.50

ALCOPOPS

SMIRNOFF ICE	5	1649	£7,344.00	£4.45
Total:		1649	£7,344.00	£4.45

Total:		114361	£550,433.50	£4.81
--------	--	--------	-------------	-------

SPIRITS

BRANDY

BRANDY	101	3685	£18,425.00	£5.00
BTL BRANDY	103	47	£5,875.00	£125.00
DBL BRANDY	102	1668	£16,680.00	£10.00
Total:		5400	£40,980.00	£7.59

GIN

BTL TANQ 10	212	10	£1,500.00	£150.00
BTL TANQUERAY	209	25	£3,250.00	£130.00
DBL GORDONS	202	8218	£82,012.00	£9.98
DBL TANQ 10	211	13	£156.00	£12.00
DBL TANQUERAY	208	54	£594.00	£11.00
GORDONS	201	19770	£98,676.00	£4.99
TANQ 10	210	26	£156.00	£6.00
TANQUERAY	207	102	£561.00	£5.50
Total:		28218	£186,905.00	£6.62

OTHER LIQU

ABSINTHE	301	4177	£20,885.00	£5.00
AMARETTO	302	2179	£10,895.00	£5.00
ARCHERS	306	188	£940.00	£5.00
BAILEYS 50ML	305	146	£584.00	£4.00
BLACK SAMBUCA	317	484	£2,178.00	£4.50
BTL JAGERMEISTER	314	43	£5,375.00	£125.00
BTL PATRON	504	8	£1,000.00	£125.00
BTL TEQUILA	502	33	£3,795.00	£115.00

CACHACA	319	56	£224.00	£4.00
COINTREAU	321	184	£736.00	£4.00
DBL AMARETTO	303	800	£8,000.00	£10.00
DBL ARCHERS	307	27	£270.00	£10.00
GLITTER-BOMB	507	546	£1,976.00	£3.62
HONEY TEQUILA	327	2125	£10,625.00	£5.00
JAGER-BOMB	313	30191	£177,388.50	£5.88
JAGERMEISTER	312	14678	£65,823.00	£4.48
PATRON	503	2576	£12,880.00	£5.00
SAMBUCA CHERRY	505	411	£1,849.50	£4.50
SMIRNOFF GOLD	506	233	£996.00	£4.27
TEQUILA	501	26986	£121,437.00	£4.50
WHITE SAMBUCA	315	7149	£32,170.50	£4.50
Total:		93220	£480,027.50	£5.15

RUM

APPLETON VX	419	48	£264.00	£5.50
BACARDI	404	1164	£5,820.00	£5.00
BACARDI & TROP RED BULL	439	20	£140.00	£7.00
BACARDI GOLD	436	3	£16.50	£5.50
BACARDI OAKHEART	429	40	£200.00	£5.00
BTL DARK RUM	403	38	£4,750.00	£125.00
BTL HAVANA 3YR	434	4	£520.00	£130.00
BTL MORGAN SPICED	409	4	£500.00	£125.00
BTL WRAY & NEPHEW	418	3	£375.00	£125.00
DARK RUM	401	15863	£79,011.00	£4.98
DARK RUM & TROP RED BULL	438	1249	£8,743.00	£7.00
DBL APPLETON VX	420	31	£341.00	£11.00
DBL BAC OAKHEART	430	18	£180.00	£10.00
DBL BACARDI	405	491	£4,910.00	£10.00
DBL BACARDI GOLD	437	20	£220.00	£11.00
DBL DARK RUM	402	5871	£58,506.00	£9.97
DBL HAVANA 3YR	433	35	£385.00	£11.00
DBL HAVANA 7 YR	426	146	£1,606.00	£11.00
DBL HAVANA GOLD	428	10	£110.00	£11.00
DBL MALIBU	411	316	£3,160.00	£10.00
DBL MORGAN SPICED	408	2523	£25,230.00	£10.00
DBL WRAY & NEPHEW	422	55	£605.00	£11.00
HAVANA 3YR	432	39	£214.50	£5.50
HAVANA 7YR	425	272	£1,496.00	£5.50
HAVANA 7YR BTL	424	27	£3,510.00	£130.00
HAVANA GOLD	427	15	£82.50	£5.50
HAVANA GOLD BTL	423	4	£520.00	£130.00
M SPICED & TROP RED BULL	440	53	£371.00	£7.00
MALIBU	410	1253	£6,265.00	£5.00
MORGAN SPICED	407	4508	£22,540.00	£5.00
WRAY & NEPHEW	421	323	£1,776.50	£5.50
Total:		34446	£232,368.00	£6.75

VODKA

BLACK-BULL	609	69	£517.50	£7.50
BTL CIROC	628	29	£4,350.00	£150.00
BTL CIROC FLAVOR	646	30	£4,500.00	£150.00
BTL GREY GOOSE	618	347	£52,050.00	£150.00
BTL KETEL ONE	623	28	£3,780.00	£135.00
BTL SMIRNOFF BLACK	608	128	£16,640.00	£130.00
BTL SMIRNOFF FLAVOUR	613	1	£125.00	£125.00
BTL SMIRNOFF RED	603	151	£18,875.00	£125.00
CIROC	626	223	£1,338.00	£6.00
CIROC BULL	629	43	£344.00	£8.00
CIROC FLAVOR	644	921	£5,526.00	£6.00
DBL CIROC	627	106	£1,272.00	£12.00
DBL BLACK-BULL	610	41	£451.00	£11.00
DBL CIROC BULL	630	22	£275.00	£12.50
DBL CIROC FLAVOR	645	422	£5,064.00	£12.00
DBL GOOSE-BULL	620	300	£3,750.00	£12.50
DBL GREY GOOSE	617	695	£8,340.00	£12.00
DBL KETEL BULL	625	12	£132.00	£11.00
DBL KETEL ONE	622	65	£715.00	£11.00
DBL NUS SMIRNOFF RED BULL	639	227	£1,589.00	£7.00
DBL SMIRNOFF BLACK	607	76	£836.00	£11.00
DBL SMIRNOFF FLAVOUR	612	100	£1,100.00	£11.00
DBL SMIRNOFF-RED BULL	605	13219	£138,601.50	£10.49
DBL SMIRNOFF-RED MIXER	602	23439	£231,746.00	£9.89
GOOSE-BULL	619	190	£1,520.00	£8.00
GREY GOOSE	616	847	£5,082.00	£6.00
KETEL BULL	624	8	£60.00	£7.50
KETEL ONE	621	61	£335.50	£5.50
NUS SMIRNOFF RED BULL	638	604	£2,107.00	£3.49
SMIRNOFF BLACK	606	66	£363.00	£5.50
SMIRNOFF FLAVOUR	611	1153	£6,341.50	£5.50
SMIRNOFF-RED BULL	604	28111	£193,550.50	£6.89
SMIRNOFF-RED MIXER	601	55160	£273,558.00	£4.96
Total:		126894	£984,834.50	£7.76

WHISKY/BOU

808 WHISKEY	735	1406	£7,030.00	£5.00
BTL 808 WHISKEY	737	25	£3,125.00	£125.00
BTL JACK DANIELS	706	93	£11,625.00	£125.00
BTL JAMESONS	719	9	£1,125.00	£125.00
BTL JD HONEY	728	4	£500.00	£125.00
BTL JD SINGLE BARREL	731	2	£350.00	£175.00
BTL JW BLACK	712	16	£2,080.00	£130.00
BTL WOODFORD	722	3	£450.00	£150.00
DBL 808 WHISKEY	736	646	£6,460.00	£10.00
DBL GENT JACK	733	4	£48.00	£12.00
DBL HONEY	727	353	£3,530.00	£10.00
DBL JACK DANIELS	705	13152	£131,240.00	£9.98
DBL JAMESONS	717	221	£2,210.00	£10.00
DBL JD SINGLE BARREL	730	15	£210.00	£14.00

DBL JW BLACK	711	87	£870.00	£10.00
DBL SOUTHERN COMFORT	714	483	£4,830.00	£10.00
DBL WOODFORD	721	24	£288.00	£12.00
GENT JACK	732	2	£12.00	£6.00
JACK DANIELS	704	24157	£120,405.00	£4.98
JAMESONS	716	306	£1,530.00	£5.00
JD HONEY	726	1053	£5,265.00	£5.00
JD SINGLE BARREL	729	15	£105.00	£7.00
JW BLACK	710	100	£500.00	£5.00
SOUTHERN COMFORT	713	1207	£6,035.00	£5.00
WOODFORD	720	30	£180.00	£6.00
Total:		43413	£310,003.00	£7.14

Total: 331591 £2,235,118.00 £6.74

SOFT DRINK

POST MIX

GLASS COKE	1001	11129	£22,258.00	£2.00
GLASS DIET COKE	1002	1065	£2,130.00	£2.00
GLASS LEMONADE	1003	7485	£14,970.00	£2.00
Total:		19679	£39,358.00	£2.00

FRUIT JUIC

FREE JUICE	1102	1099	£0.00	£0.00
GLASS JUICE	1101	7047	£14,094.00	£2.00
SPIRIT JUICE	1103	345	£345.00	£1.00
Total:		8491	£14,439.00	£1.70

SOFT BOTTL

FREE COKE	1207	1025	£0.00	£0.00
FREE LEMONADE	1209	651	£0.00	£0.00
FREE MIXER	1206	364	£0.00	£0.00
FREE RED BULL	1202	3226	£0.00	£0.00
RED BULL	1201	20232	£60,696.00	£3.00
SPIRIT COKE	1208	42	£42.00	£1.00
SPIRIT LEMONADE	1210	31	£31.00	£1.00
SPIRIT MIXER	1205	210	£210.00	£1.00
SPIRIT RED BULL	1203	158	£158.00	£1.00
WATER	1204	97121	£242,802.50	£2.50
Total:		123060	£303,939.50	£2.47

Total: 151230 £357,736.50 £2.37

WINE & CHA

WINE

125ML GLS RED WINE	811	128	£512.00	£4.00
125ML GLS ROSE WINE	812	96	£384.00	£4.00
125ml GLS WHITE WINE	810	294	£1,176.00	£4.00

BTL RED	806	38 £684.00	£18.00
BTL ROSE	804	70 £1,260.00	£18.00
BTL WHITE	802	136 £2,448.00	£18.00
GLASS WHITE	801	-1 -£4.50	£4.50
Total:		761 £6,459.50	£8.49

CHAMPAGNE

BABY LP NV	901	59 £1,062.00	£18.00
PERRIER JOUET BRUT	905	196 £12,740.00	£65.00
PERRIER JOUET ROSE	906	26 £2,470.00	£95.00
Total:		281 £16,272.00	£57.91

Total:		1042 £22,731.50	£21.82
--------	--	-----------------	--------

COCKTAILS

COCKTAILS

BLACK SPICE	1325	8 £80.00	£10.00
CAIPIRINHA	1302	48 £480.00	£10.00
COCKTAIL	1303	1 £10.00	£10.00
CUBA LIBRE	1313	66 £660.00	£10.00
ICED TEA	1305	589 £5,890.00	£10.00
MOJITO	1307	176 £1,760.00	£10.00
ROOT 56	1326	12 £120.00	£10.00
SEX ON THE BEACH	1308	17 £170.00	£10.00
SUNSET DREAM	1324	55 £550.00	£10.00
TEQUILA SUNRISE	1309	4 £40.00	£10.00
Total:		976 £9,760.00	£10.00

Minor Category	Volume	% of volume	value	% of value
Beer	107934	17.20%	£521,588.50	16.39%
Cider	4778	0.76%	£21,501.00	0.68%
Alcopops	1649	0.26%	£7,344.00	0.23%
Brandy	5400	0.86%	£40,980.00	1.29%
Gin	28218	4.50%	£186,905.00	5.87%
Other Liqueurs	93220	14.86%	£480,027.50	15.09%
Rum	34446	5.49%	£232,268.00	7.30%
Vodka	126894	20.23%	£984,834.50	30.95%
Whiskey/Bourbon	43413	6.92%	£310,003.00	9.74%
Post Mix	19679	3.14%	£39,358.00	1.24%
Fruit Juice	8491	1.35%	£14,439.00	0.45%
Soft Bottles	151230	24.11%	£303,939.50	9.55%
Wine	761	0.12%	£6,459.50	0.20%
Champagne	281	0.04%	£22,731.50	0.71%
Cocktails	976	0.16%	£9,760.00	0.31%
Total	627370		£3,182,139.00	

Major Category	Volume	% of volume	value	% of value
PPS/PPL/PPC	114361	18.23%	£550,433.50	17.24%
Spirits	331591	52.85%	£2,235,018.00	70.02%
Soft drinks	179400	28.60%	£357,736.50	11.21%
Wine & Champagne	1042	0.17%	£38,951.00	1.22%
Cocktails	976	0.16%	£9,760.00	0.31%
	627370		3191899	

Soft drinks given with bottle of alcohol sales:

	Volume	value
Free and spirit softs	7151	786 sold and/or given with alcohol

Soft drinks given to staff members on shift (staff drinks accounts)

Water	28827	
Red Bull	5935	
Glass coke	7555	
Glass diet coke	615	
Glass lemonade	6137	
Glass Juice	5849	
Total	54918	141630.5

Soft drinks sold to customers as solos sales (no alcohol involved):

Volume -	124482
Value -	£216,106.00

Actual soft drinks sold:

Volume -	124482
Value -	216106
% of sales (volume) -	21.75%

actual price per drink (sales to customers) - £5.18

Sales by category (staff drinks soft drinks stripped out)

Major Category	Volume	% of volume
PPS/PPL/PPC	114361	19.98%
Spirits	331591	57.92%
Soft drinks	124482	21.75%
Wine & Champagne	1042	0.18%
Cocktails	976	0.17%
	572452	

Bill to: FABRIC
 FABRIC
 LUKE LAWS
 luke@fabriclondon.com
 020 7336 8898

Date: 30.08.16
 Pro-Forma 2016083047NT

Address: 77A CHARTERHOUSE ST

Comments: Inernet connection and power required prior to install.

LONDON
 EC1M 6HJ

Terms Full cleared funds received before installation

ITEM		QUANTITY	UNIT COST(£)	TOTAL(£)
Scannet	Document Authentication system	4	£999	£3996
Scannet FLOOR	Upgrade to floor standing unit	4	£399	£1596
IDscan CCTV	Upgrade to CCTV takes 3 snap shots of each customer as they enter, for manual entry and membership, one off fee	4	£185	£740
Discount		4	£185	-£740
			£	£0
			£	£0
Training + Installation		1	£270	£270
1st months licence, sms, email & support fee		4	£299	£1196
			SUBTOTAL	£7058
			VAT RATE	20%
			VAT	£1411.6
			TOTAL	£8469.6

Rentals and licence fees are paid monthly in advance. Invoices are issued on the first of each month for rentals and licence fees for the following month. Direct debits will be taken out on the 20th of the month in which the invoice was issued and covers the fees for the following month - fees not paid by DD carry a £39 surcharge p/m

Payment Methods	Bank:	Lloyds TSB Bank	Account Name:	Id Scan Biometrics Ltd
- BACS	- Cash	Address: Eastern Branch	Sort Code:	30-92-90
- CHAPS	- PayPal	35 Whitechapel High Street	Account number:	02589468
- Credit Card*	- Cheque	London	BIC:	LOYDGB21053
- Debit Card*	(Payable to: Id Scan Biometrics Ltd)	E1 7PH	IBAN:	GB11 LOYD 3092 9002 589468

PAYMENT OF THIS INVOICE CONSTITUTES AN AGREEMENT TO IDSCAN BIOMETRICS TERMS AND CONDITIONS idscan.com/terms-conditions
 Idscan products must be connected to the internet for full operation, support, upgrades and re-licensing of your software, failure to do so will invalidate your license and support and cause your system to stop operating after 7 days

F017/REV1/JUN12 - Version No.1 - Revision Date: N/A

IDScan Biometrics Ltd.
 Aegon House
 13 Lanark Square
 Crossharbour
 London E14 9QD

T. +44 (0)20 7987 9977
 F. +44 (0)845 003 1091

www.idscan.co.uk

Company No. 4779960
 VAT No. 866 9254 73

CCTV estimate summary

Hardware:

See attached quote from JMC Security including brief spec of equipment – total of £6,962 + VAT

Full spec also attached for cameras and NVR

Labour:

2 x CCTV engineers @ £600 + VAT per day. Expected to last 5 days - £3,000 + VAT

1 x IT engineer @ £250 + VAT per day. Expected to last 3 days - £750 + VAT

1 x Electrician @ £500 + Vat per day. Expected to last 3 days - £1,500 + VAT

Other materials:

6 x 5 amp power supply boards @ £350 + VAT each - £2,100 + VAT

Misc equipment (switches, cabling, ports) - £1,000 + VAT

Total cost of installation - £15,312 + VAT

VC236-AEL

2MP Ultra-low Light Smart PTZ Camera



smart PTZ

Hikvision Darkfighter series VC236-AEL smart PTZ dome cameras are able to capture high quality colored images in dim light environment with its cutting-edge low illumination level down to 0.002Lux (color). Embedded with 1/1.9" progressive scan CMOS chip makes true WDR (120dB) and 2MP real-time resolution possible. With the 36X optical zoom Day/Night lens, the camera offers more details over expansive areas.

The Darkfighter PTZ camera also features a wide range of smart functions, including face detection, intrusion detection, line crossing detection and audio exception, benefitting users with great improvement on security efficiency, more importantly, with key events / objects being recorded for further forensic needs. These features, combined with smart tracking, which enables the camera to detect any progressively moving object and follow it within the camera's area of coverage without fault. Smart Defog and EIS (Electronic Image Stabilizer) are further supported to improve image quality in challenging conditions.

DARKFIGHTER



Key Features

- 1/1.9" HD CMOS sensor
- Optical Defog
- 2MP(1920*1080) Full HD
- 36X Optical Zoom
- Ultra-low illumination
- 120dB True WDR
- Smart Tracking
- Smart Detection
- Electronic Image Stabilizer(EIS)
- Hi-PoE / 24VAC power supply



www.hikvision.com

VC236-AEL 2MP Ultra-low Light Smart PTZ

DARKFIGHTER



Function Description

Basic function:

- High performance CMOS, up to 1920x1080 resolution, configuration flexibility in its resolution
- $\pm 0.1^\circ$ Preset Accuracy
- ONVIF(Open Network Video Interface Forum), CGI(Common Gateway Interface), PSIA(Physical Security Interoperability Alliance), to ensure greater interoperability between different platforms and compatibility
- 3D intelligent positioning function
- 3D DNR
- IP66 standard
- 7 alarm inputs and 2 alarm outputs
- Scheduled PTZ movement
- Built for monitoring 7x24x365

Smart function:

- Smart tracking modes: Manual/ Panorama/ Intrusion trigger/ Line crossing trigger/ Region entrance trigger/ Region exiting trigger, support smart tracking when patrol between multiple scenarios
- Smart detection: support Face detection, Intrusion detection, Line crossing detection, Audio exception detection, Region entrance detection, Region exiting detection
- Smart recording: support edge recording, support dual-VCA for smart search in smart NVR
- Smart image processing: support optical defog, HLC, EIS
- Smart codec: low bit rate, ROI

Camera function:

- Auto iris, auto focus, auto white balance, backlight compensation and auto day & night switch
- Min. Illumination: 0.002Lux@(F1.5,AGC ON)(Color), 0.0002Lux@(F1.5,AGC ON)(B/W)
- Support privacy mask with multiple colors and mosaics on polygonal areas

PTZ function:

- From 0° to 360° endless pan range and from -10° to 190° tilt range

- 540° /s Pan Preset Speed and 400° /s Tilt Preset Speed
- $0.1^\circ \sim 300^\circ$ /s Manual Pan Speed and $0.1^\circ \sim 240^\circ$ /s Manual Tilt Speed
- 300 presets programmable; preset image freezing capability
- 8 patrols, up to 32 presets per patrol
- 4 patterns, with the recording time not less than 10 minutes per pattern
- Proportional zoom function
- Park action: auto call up of PTZ movement, after a defined time of inactivity
- Power-off memory: restore PTZ & Lens status after reboot

Network function:

- H.264+/ Advanced H.264/H.264/MJPEG/MPEG4 video compression
- H.264 encoding with Baseline/Main/High profile
- ROI(Region of Interest) encoding(support 24 areas with adjustable levels)
- Built-in Web server
- Onboard storage, up to 128GB
- Support up to 8 NAS storage; Edge recording(transmit the videos from SD card to the NAS after network resumed)
- HTTPS encryption and IEEE 802.1X port-based network access control
- Support 3 Simultaneous Video streams
- Multiple network protocols supported: IPv4/IPv6, HTTP, HTTPS, 802.1X, QoS, FTP, SMTP, UPnP, SNMP, DNS, DDNS, NTP, RTSP, RTP, TCP, UDP, IGMP, ICMP, DHCP, PPPoE, Multicasting
- 1 audio input and 1 audio output, Two-way audio

VC236-AEL

2MP Ultra-low Light Smart PTZ

DARKFIGHTER



Model	VC236-AEL
Camera Module	
Image Sensor	1/1.9" Progressive Scan CMOS
Min. Illumination	F1.5, 50IRE, AGC On: Color: 0.002 lux, B/W: 0.0002 lux
Max. Image Resolution	1920×1080
Focal Length	5.7-205.2mm, 36x optical zoom
Digital Zoom	16X
Zoom Speed	Approx.3.3s(Optical Wide-Tele)
Angle of View	58.7-2.0 degree (Wide-Tele)
Min. Working Distance	10-1500mm(Wide-Tele)
Aperture Range	F1.5~F3.4
Focus Mode	Auto / Semiautomatic / Manual
WDR	120dB
S / N Ratio	≥ 55dB
Shutter Time	50Hz: 1~1/30,000s; 60Hz: 1~1/30,000s
AGC	Auto / Manual
White Balance	Auto / Manual /ATW/Indoor/Outdoor/Daylight lamp/Sodium lamp
Day & Night	IR Cut Filter(ICR)
Privacy Mask	24 privacy masks programmable; optional multiple colors and mosaics
Optical Defog	Support
Enhancement	3D DNR, EIS, HLC/BLC, SVC
Pan and Tilt	
Range	Pan: from 0° to 360° endless; Tilt: from -10° to 190°
Speed	Pan Manual Speed: 0.1~300°/s, Pan Preset Speed: 540°/s Tilt Manual Speed: 0.1~240°/s, Tilt Preset Speed: 400°/s
Number of Preset	300
Patrol	8 patrols, up to 32 presets per patrol
Pattern	4 patterns, with the recording time not less than 10 minutes per pattern
Park Action	Preset / Patrol / Pattern / Auto scan / Tilt scan / Random scan / Frame scan / Panorama scan
Scheduled Task	Preset / Patrol / Pattern / Auto scan / Tilt scan / Random scan / Frame scan / Panorama scan/Dome reboot/Dome adjust/Aux output
Smart Features	
Smart tracking	Manual/ Panorama/ Intrusion trigger/ Line crossing trigger/ Region entrance trigger/ Region exiting trigger Smart tracking when patrol between multiple scenarios
Smart detection	Face detection, intrusion detection, Line crossing detection, Audio exception detection, Region entrance detection, Region exiting detection
ROI encoding	Support 24 areas with adjustable levels
Alarm	
Alarm I/O	7/2
Alarm Trigger	Face detection, intrusion detection, Line crossing detection, Region entrance, Region exiting, Audio exception detection, Motion detection, Dynamic analysis, Tampering alarm, Network disconnect, IP address conflict, Storage exception
Alarm Action	Preset, Patrol, Pattern, Micro SD/SDHC card recording, Relay output, Notification on Client, Send Email, Upload to FTP, Trigger Channel
Input/Output	
Monitor Output	1.0V[p-p] / 75Ω, NTSC (or PAL) composite, BNC
Audio Input	1 Mic in/Line in interface, line input: 2-2.4V[p-p]; output impedance: 1KΩ, ±10%
Audio Output	1 Audio output interface, line level, impedance: 600Ω
Network	
Ethernet	10Base-T / 100Base-TX, RJ45 connector
Main Stream	50Hz: 25fps(1920×1080, 1280×960, 1280×720); 60Hz: 30fps(1920×1080, 1280×960, 1280×720)
Sub Stream	50Hz: 25fps(704×576, 352×288, 176×144); 60Hz: 30fps(704×480, 352×240, 176×120)
Third Stream	50Hz: 25fps(1920×1080, 1280×960, 1280×720, 704×576, 352×288, 176×144) 60Hz: 30fps(1920×1080, 1280×960, 1280×720, 704×480, 352×240, 176×120)
Image Compression	H.264+/Advanced H.264/H.264/MJPEG/MPEG4, H.264 encoding with Baseline/Main/High profile

HIKVISION

VC236-AEL 2MP Ultra-low Light Smart PTZ

DARKFIGHTER

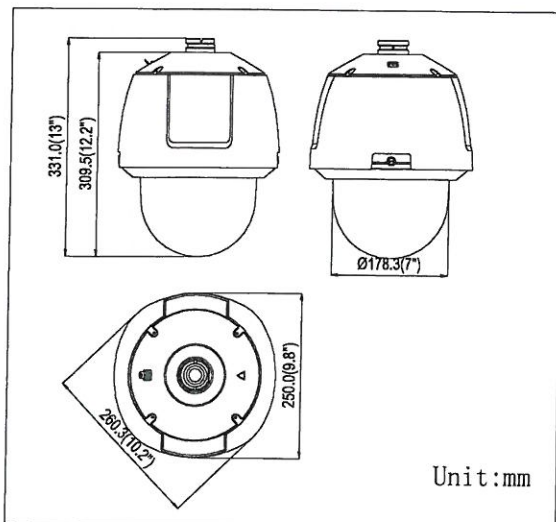


Audio Compression	G.711ulaw/G.711alaw/G.726/MP2L2/G.722/PCM
Protocols	IPv4/IPv6, HTTP, HTTPS, 802.1X, QoS, FTP, SMTP, UPnP, SNMP, DNS, DDNS, NTP, RTSP, RTP, TCP, UDP, IGMP, ICMP, DHCP, PPPoE, Multicasting
Simultaneous Live View	Up to 20 users
Mini SD Memory Card	Support up to 128GB Micro SD/SDHC/SDXC card. Support Edge recording
User/Host Level	Up to 32 users, 3 Levels: Administrator, Operator and User
Security Measures	User authentication (ID and PW); Watermark; Host authentication (MAC address); IP address filtering

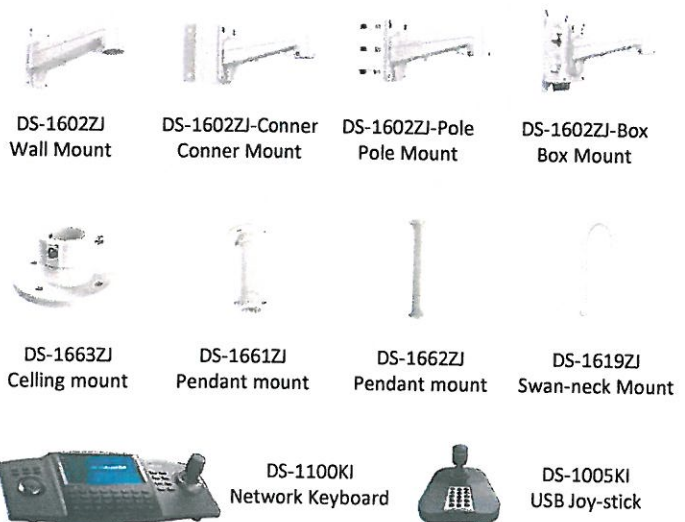
System Integration

Application programming	Open-ended API, support ONVIF, PSIA, CGI and Genetec
Web Browser	IE 7+, Chrome 18+, Firefox 5.0+, Safari 5.02+, support multi-language
RS-485 Protocols	HIKVISION, Pelco-P, Pelco-D, self-adaptive
Power	Hi-PoE&24 VAC, Max.60W
Working Temperature	-40° C ~ 65° C (-40° F ~ 149° F)
Humidity	90% or less
Protection Level	IP66, IK10, TVS 4,000V lightning protection, surge protection and voltage transient protection
Certification	FCC, CE, UL, RoHS, IEC/EN 61000, IEC/EN 55022, IEC/EN 55024, IEC/EN60950-1
Dimensions	Φ178.3(mm)×331.0(mm) (Φ7.02"×13.03")
Weight (approx.)	8kg (approx.)
Mount Option	Long-arm wall mount: DS-1602ZJ; Corner mount: DS-1602ZJ-corner; Pole Mount: DS-1602ZJ-pole; Power box mount: DS-1602ZJ-box; Swan-neck mount: DS-1619ZJ

Dimensions



Accessories



DS-7604NI-E1/4P and DS-7600NI-E2/8P (16P) series NVR

Introduction:

DS-7600NI-E1/4P and DS-7600NI-E2/8P (16P) series NVR (Network Video Recorder) is a new generation recorder developed by Hikvision independently. Combined with multiple advanced technologies, such as audio and video decoding technology, embedded system technology, storage technology, network technology and intelligent technology. It can both work alone as a recorder and cooperate with other device to form a comprehensive surveillance system.

The DS-7600NI-E1/4P and DS-7600NI-E2/8P (16P) series NVR are widely applied in the areas of finance, public security, military, communication, transportation, education, etc.

Available Models:

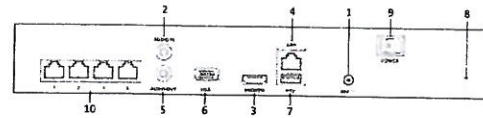
DS-7604NI-E1/4P;
 DS-7608NI-E2/8P, DS-7616NI-E2/8P, DS-7632NI-E2/8P;
 DS-7616NI-E2/16P, DS-7632NI-E2/16P.

Main Features:

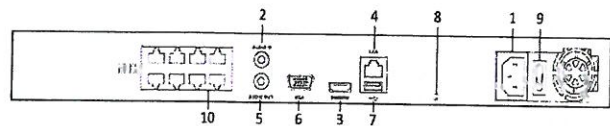
- Connectable to the third-party network cameras like like ACTI, Arecont, AXIS, Bosch, Brickcom, Canon, ONVIF, PANASONIC, Pelco, PSIA, SAMSUNG, SANYO, SONY, Vivotek and ZAVIO.
- 4/8/16/32 network cameras can be connected for different models.
- Support live view, storage, and playback of the connected camera with up to the resolution of 6 megapixels.
- Simultaneous HDMI and VGA outputs at up to 1920×1080 resolution.
- New GUI and support starting record with one key.
- Multiple recording types: manual, continuous, alarm, motion, motion | alarm, motion & alarm.
- Realize instant playback for assigned channel during multi-channel display mode.
- Customization of tags, searching, and playing back by tags.
- Playback by sub-periods.
- Locking and unlocking record files.
- Support HDD quota mode; different capacity can be assigned to different channel.
- Up to 2 SATA hard disks can be connected with up to 4TB capacity for each.
- 1 self-adaptive 10M/100M/1000M network interface is provided.
- Up to 4/8/16 independent PoE network interfaces for different models.
- Support Hikvision DDNS (Dynamic Domain Name System).
- Support network detection, including network delay, packet loss, etc.
- Support enabling H.264+ to ensure high video quality with lowered bitrate.



Physical Interfaces:



DS-7600NI-E1/4P

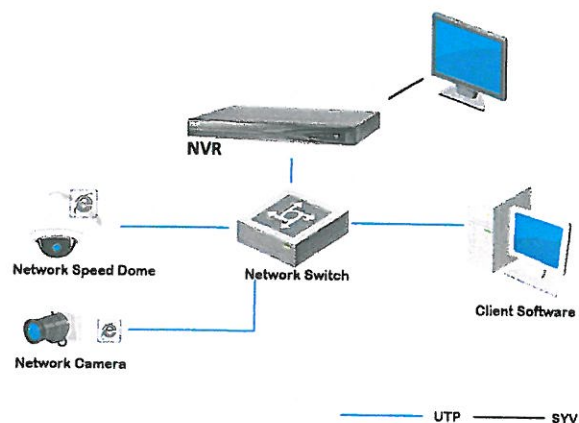


DS-7600NI-E2/8P

NOTE The rear panel of DS-7616NI-E2/16P and DS-7632NI-E2/16P provides 16 independent 100 Mbps PoE network interfaces.

Index	Name
1	Power Supply
2	Audio In
3	HDMI Interface
4	LAN Network Interface
5	Audio Out
6	VGA Interface
7	USB Interface
8	Ground
9	Power Switch
10	Network Interfaces with PoE Function

Typical Connections:



Specifications:

Model		DS-7604NI-E1/4P	DS-7608NI-E2/8P
Video/Audio input	IP video input	4-ch	8-ch
	Two-way audio input	1-ch, RCA (2.0 Vp-p, 1kΩ)	
Network	Incoming bandwidth	40Mbps	80Mbps
	Outgoing bandwidth	80Mbps	
	Remote connection	32	128
Video/Audio output	Recording resolution	6MP/5MP/3MP/1080P/UXGA/720P/VGA/4CIF/DCIF/2CIF/CIF/QCIF	
	Frame rate	Main stream: 50 fps (P) / 60 fps (N)	
		Sub-stream: 50 fps (P) / 60 fps (N)	
	HDMI/VGA output	1-ch, resolution: 1920 × 1080 /60Hz, 1600 × 1200 /60Hz, 1280 × 1024 /60Hz, 1280 × 720 /60Hz, 1024 × 768 /60Hz	
Audio output	1-ch, RCA (Linear, 1kΩ)		
Decoding	Live view / Playback resolution	6MP/5MP/3MP/1080P/UXGA/720P/VGA/4CIF/DCIF/2CIF/CIF/QCIF	
	Capability	4-ch@1080P	8-ch@720P, 6-ch@1080P
Hard disk	SATA	1 SATA interface for 1 HDD	2 SATA interfaces for 2 HDDs
	Capacity	Up to 4TB for each disk	
External interface	Network interface	1 RJ-45 10 /100 /1000 Mbps self-adaptive Ethernet interface	
	USB interface	1 × USB 2.0 and 1 × USB 3.0	
	Alarm in/out (Optional)	4 / 1	
PoE	Interface	4 independent 100 Mbps PoE network interfaces	8 independent 100 Mbps PoE network interfaces
	Max. Power	50W	120W
	Supported standard	AF and AT	
General	Power supply	48V DC	100~240V AC
	Consumption (without hard disk and PoE)	≤10W	
	Working temperature	-10 °C ~ +55 °C (+14 °F ~ + 131 °F)	
	Working humidity	10 % ~ 90 %	
	Chassis	1U chassis	19-inch rack-mounted 1U chassis
	Dimensions (W × D × H)	315 × 230 × 45mm (12.4"×9.1"×1.8")	445 × 290 × 45mm (17.5" × 11.4" × 1.8")
	Weight (without hard disk)	≤ 1 kg (2.2 lb)	

Model		DS-7616NI-E2/8P	DS-7632NI-E2/8P	DS-7616NI-E2/16P	DS-7632NI-E2/16P
Video/Audio input	IP video input	16-ch	32-ch	16-ch	32-ch
	Two-way audio input	1-ch, RCA (2.0 Vp-p, 1kΩ)			
Network	Incoming bandwidth	160Mbps			
	Outgoing bandwidth	80Mbps			
	Remote connection	128			
Video/Audio output	Recording resolution	6MP/5MP/3MP/1080P/UXGA/720P/VGA/4CIF/DCIF/2CIF/CIF/QCIF			
	Frame rate	Main stream: 50 fps (P) / 60 fps (N)			
		Sub-stream: 50 fps (P) / 60 fps (N)			
	HDMI/VGA output	1-ch, resolution: 1920 × 1080 /60Hz, 1600 × 1200 /60Hz, 1280 × 1024 /60Hz, 1280 × 720 /60Hz, 1024 × 768 /60Hz			
Audio output	1-ch, RCA (Linear, 1kΩ)				
Decoding	Live view / Playback resolution	6MP/5MP/3MP/1080P/UXGA/720P/VGA/4CIF/DCIF/2CIF/CIF/QCIF			
	Capability	16-ch@4CIF, 12-ch@720P, 6-ch@1080P			
Hard disk	SATA	2 SATA interfaces for 2 HDDs			
	Capacity	Up to 6TB for each disk			
External interface	Network interface	1 RJ-45 10 /100 /1000 Mbps self-adaptive Ethernet interface			
	USB interface	1 × USB 2.0 and 1 × USB 3.0			
	Alarm in/out (Optional)	4 / 1			
PoE	Interface	8 independent 100 Mbps PoE network interfaces	16 independent 100 Mbps PoE network interfaces		
	Max. Power	120W	200W		
	Supported standard	AF and AT			
General	Power supply	100~240V AC			
	Consumption (without hard disk and PoE)	≤10W	≤15W		
	Working temperature	-10 °C ~ +55 °C (+14 °F ~ +131 °F)			
	Working humidity	10 % ~ 90 %			
	Chassis	380 chassis			
	Dimensions (W × D × H)	380 × 290 × 48mm (15.0" × 11.4" × 1.9")			
	Weight (without hard disk)	≤ 1 kg (2.2 lb)			

TIMELINE

- 18th December 2014 - First review of Premises Licence
- 7th - 11th December 2015 - Successful Appeal at Islington Magistrates Court
- 2nd February 2016 - Meeting to re-set the relationship with Fabric, Police and Licensing Authority
- 26th June 2016 - Death at premises
- 2nd July 2016 - Central Licensing visit for EVA Report
- 5th August 2016 - Meeting set up with the Licensing Authority and Islington Police to go through the EVA Report – due to be 22/08/2016. Cancelled due to other events
- 6th August 2016 - EVA Report delivered to Fabric
- 6th August 2016 - Death at Premises
- 6th August 2016 - Meeting set up with Borough Commander and Chief Inspector Howells for Tuesday 16th August - Cancelled due to other events
- 10th August 2016 - Summary Review launched
- 12th August 2016 - Interim Steps suspension
- 18th August 2016 - Meeting with police and council at Islington Police Station
- 25th August 2016 - Meeting with police and council at Islington Police Station
- 6th September 2016 - Representations against the Interim Steps
- 6th September 2016 - Final Review